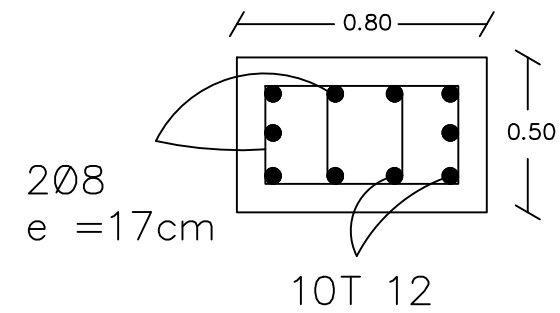
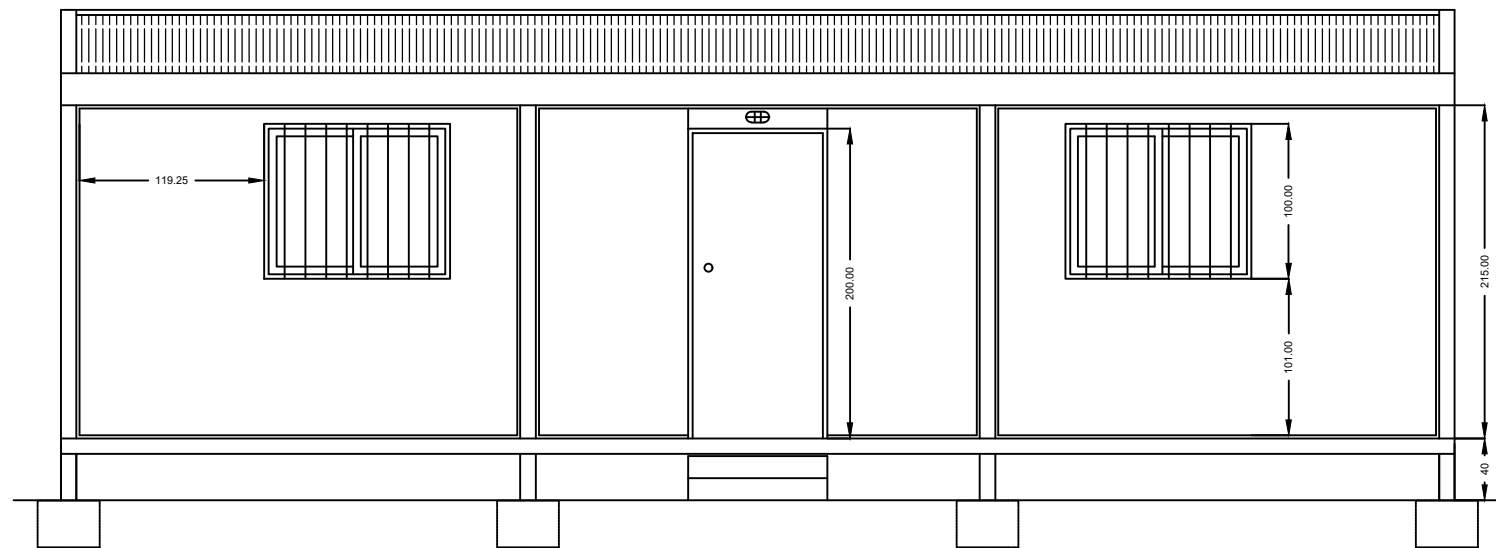


SECTION A-A

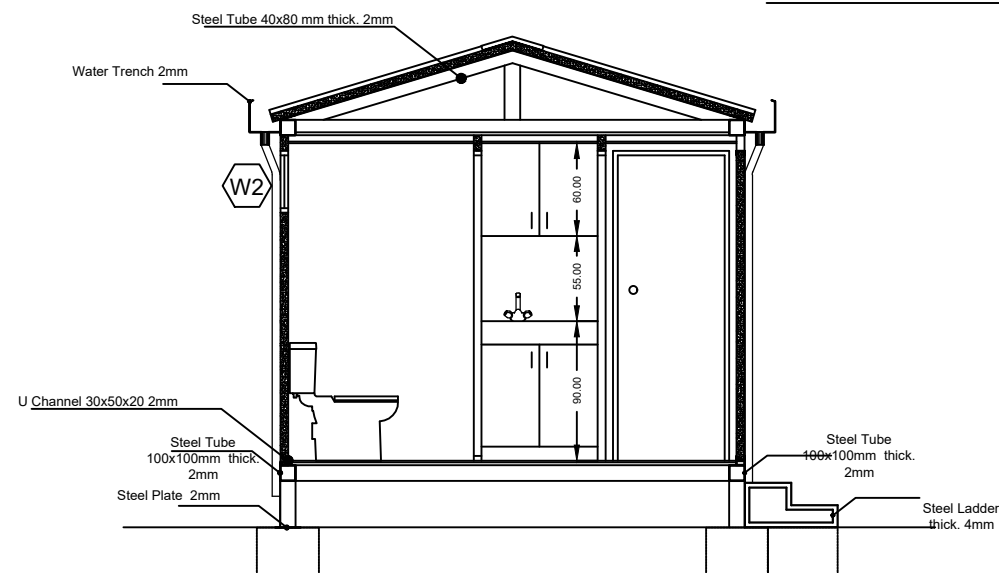


COUPE Z-Z

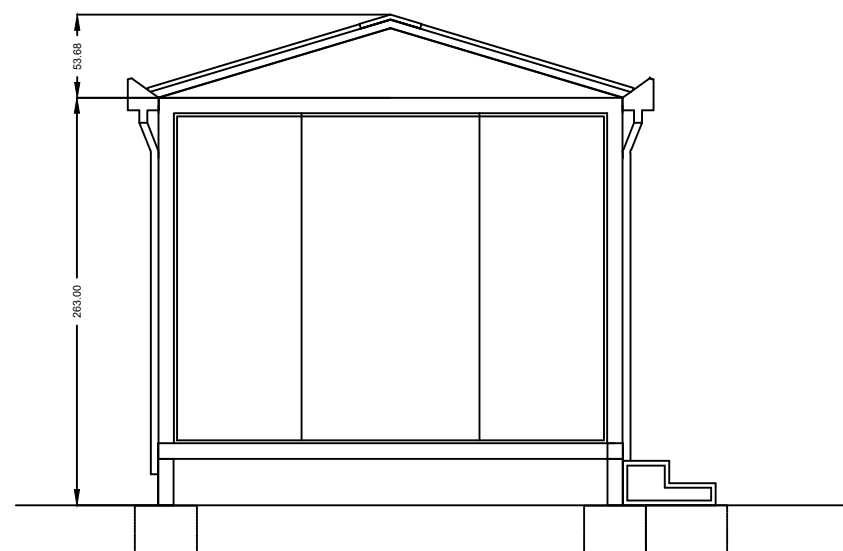
Concrete block
80cmx80cmx50cm



ELEVATION 1



SECTION B-B



ELEVATION 2